

The Great Outdoors



A high-angle photograph of an ice skating rink. Several people are visible from the waist down, wearing winter clothing and ice skates. Long, dark shadows are cast across the ice, indicating a low sun position. The ice surface is marked with numerous scratches and tracks from skaters.

Eureka wants to play



NGL '13

Don't stay on the porch



Join in

Get out



Watch your step

Keep moving

Enjoy the view

The image features a white brick wall as the background. Two black pendant lights with white, dome-shaped shades are suspended from the top. The lights are turned on, casting a soft glow. The floor at the bottom of the frame is made of dark wooden planks.

Sure, we like to stay in too

and smell the coffee

A modern dining room featuring a long wooden table and six teal chairs with wooden legs. Two large, white, ribbed pendant lights hang above the table. The floor is made of wood in a herringbone pattern. A wooden door is visible on the left side of the frame.

You're welcome

Introducing a new line
of all-terrain luminaires

*more than **20** new combinations*

“When it rains, it pours!”



Retro high-tech

4x66x-NPM / Gatsby

 **EUREKA**



Terrace not included

4x66x-TAS / Plaza

 EUREKA



Industrial Sleek

4x66x-NPL / Leroy

 EUREKA



Bold sophistication

4x66x-SNW / Metro

 EUREKA



Rocket science

4x66x-SCR / Turbo





Back to basics

4x66x-SIJ / Coupé

 EUREKA

Smooth operator

White papers

Photometric pages, Anatomy sheets and other serious stuff

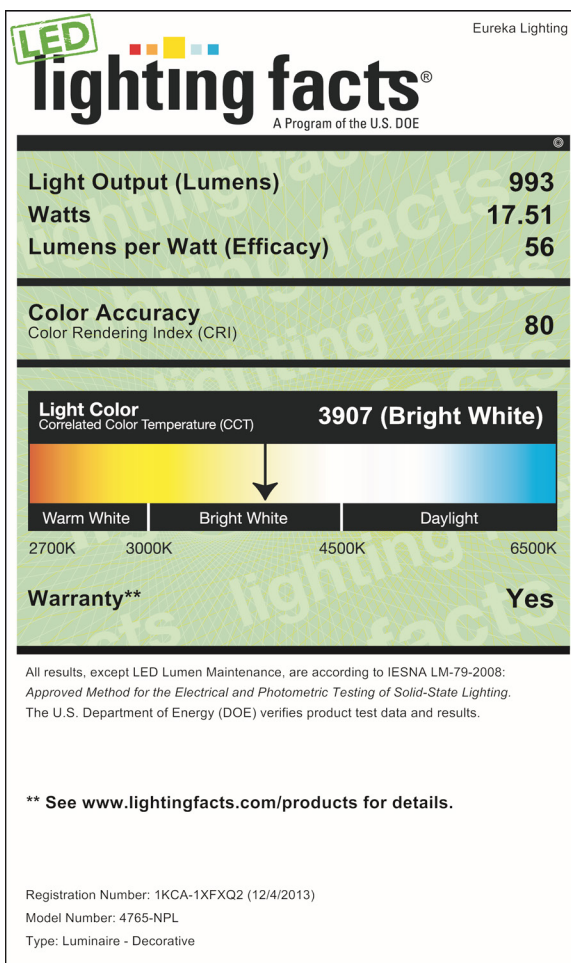
Been there, done that

Once installed in a fixture, LED chips behave differently than what the spec sheet read. But how differently?

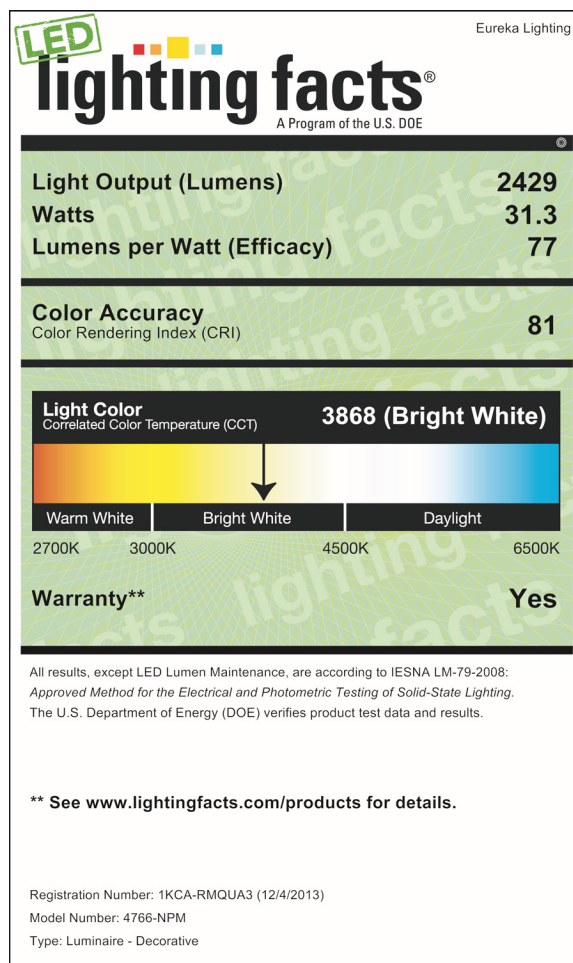
We don't like false claims. Whenever possible, Eureka works with a DOE certified independent lab to test families of fixtures for energy consumption, light output, chromaticity. LM-79 tests are industry standardized test procedures that measure actual performance qualities of LED luminaires.

Lighting Facts labels feature verified data about a light fixture's performing characteristics, tested under LM-79 test procedure. They have to minimally contain 5 metrics: lumens, watts, efficacy, color rendering index and correlated color temperature.

4765-NPL / Elroy



4x66x-NPM / Gatsby

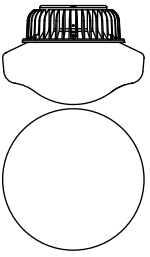




EUREKA

GATSBY

4766-NPM-LED.26.40-120V-DLT
26W LED CONSTANT CURRENT 4000K

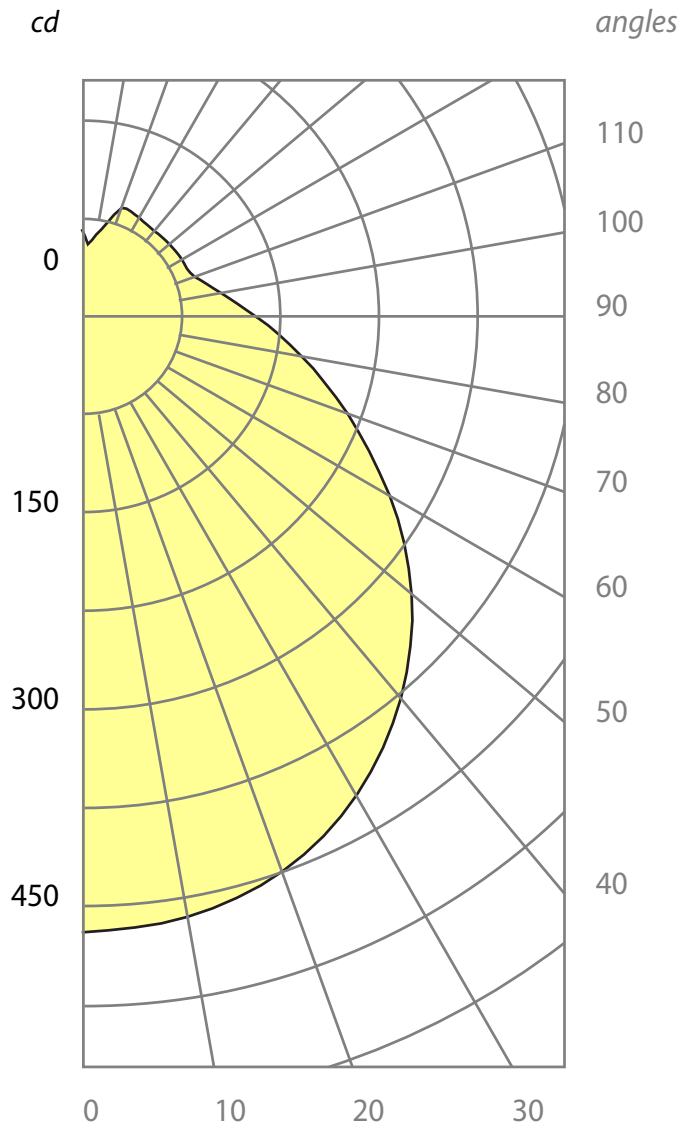


Photometric Report

Number of light sources:	1
Lumens per light source:	2429
Input watts:	31.3
Distribution:	Direct-Indirect
Efficacy (lm/W):	77.6
Photometric type:	C

Luminous dimensions

Luminous shape:	Rectangle
Units:	Feet
0-180 Axis:	1.083
90-270 Axis:	1.083
Height:	0.750



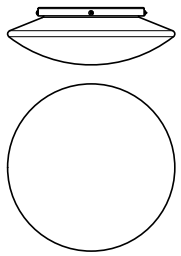
V1.0-2014.01



EUREKA

ELROY

4765-NPL -LED.14.40-120V-DHP
14W LED CONSTANT CURRENT 4000K

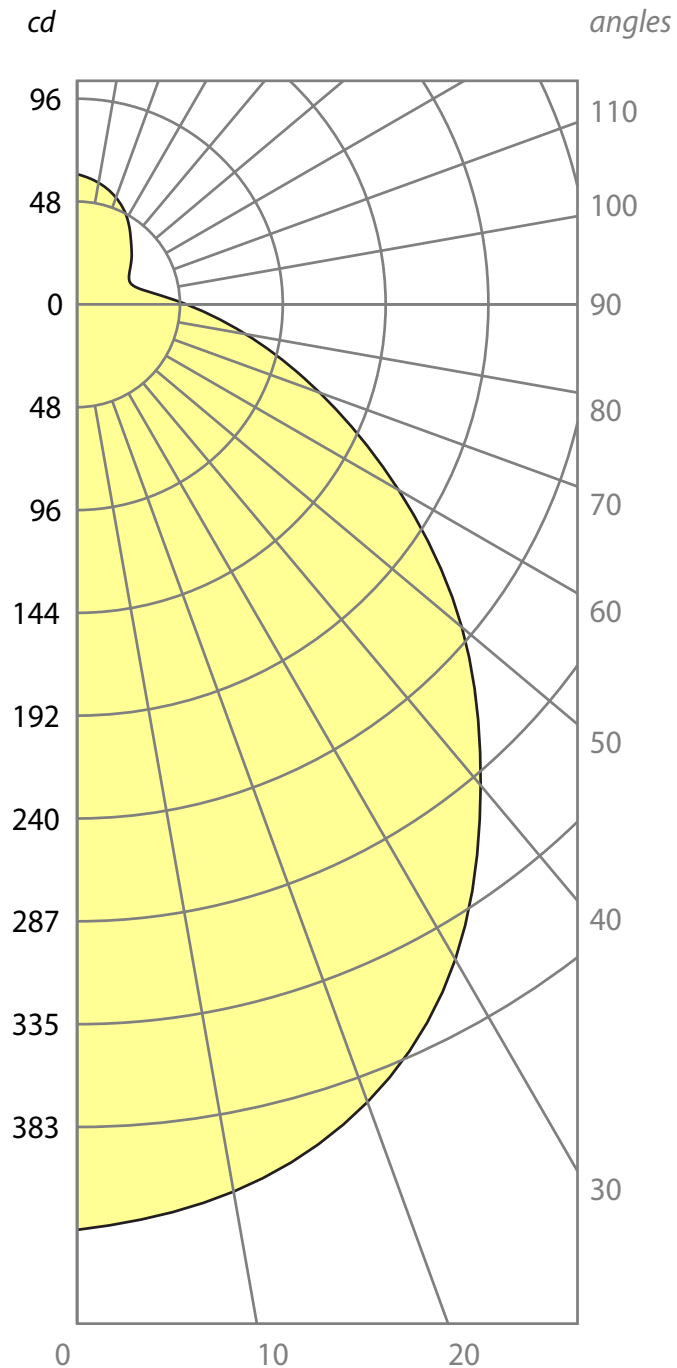


Photometric Report

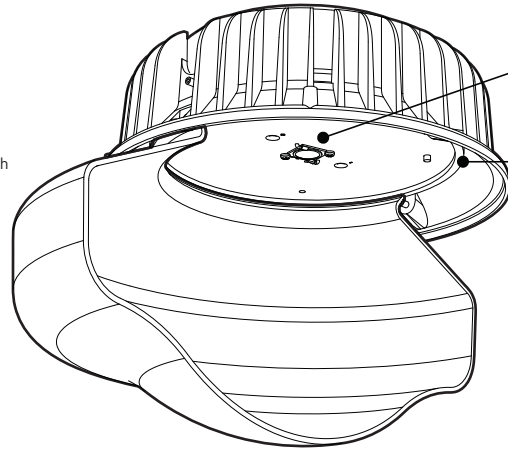
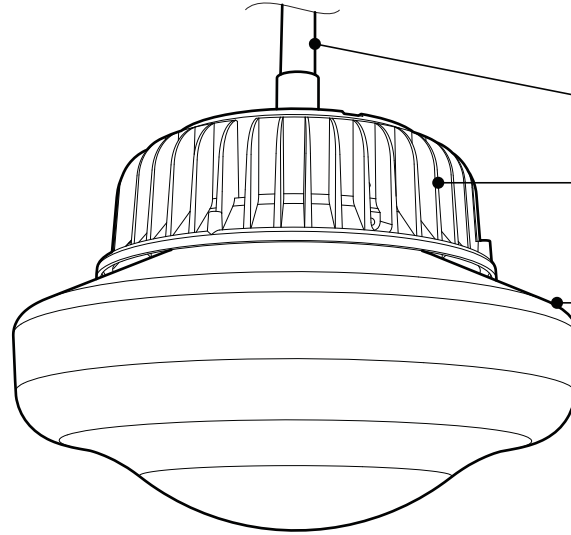
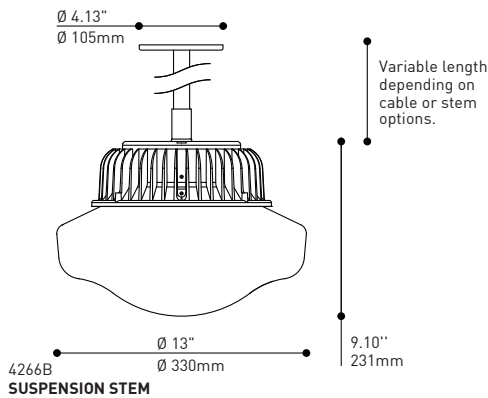
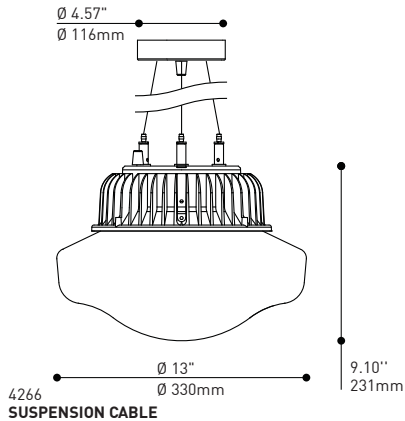
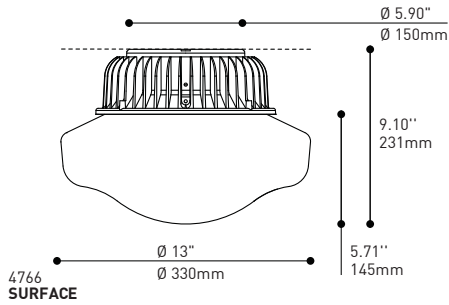
Number of light sources: 7
 Lumens per light source: 141.8
 Input watts: 14.7
 Distribution: Direct-Indirect
 Efficacy (lm/W): 56.7
 Photometric type: C

Luminous dimensions

Luminous shape: Rectangle
 Units: Feet
 0-180 Axis: 1.000
 90-270 Axis: 1.000
 Height: 0.339



V1.0-201311



INDUSTRIAL CHIC
Works in a wide range of environments (bars, hotels, lofts, indoor, outdoor,...)

MOUNTING OPTIONS
Rigid stem / aircraft cable, or surface.

KEEPING THINGS COOL
Precisely calculated, air exposed heat sink, sturdy die cast aluminum, black anodised finish.

ROTMOLDED SHADE
Perfectly diffusing MDPE shade
Vandal and impact resistant
Recyclable plastic

DESIGNED FOR DISASSEMBLY
Easy installation and maintenance
Recyclable materials
Mechanically fastened parts

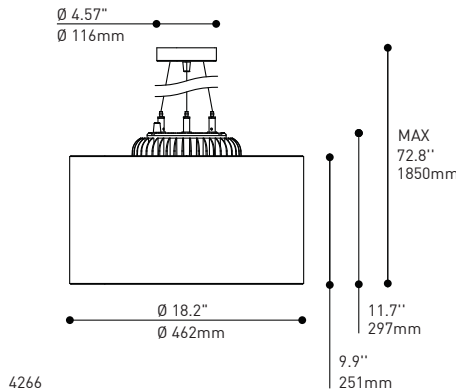
HIGH OUTPUT FOR GENERAL ILLUMINATION
Center mounted COB LED technology
As much as 2400 lumens for only 26 W

WEATHERPROOF
Self-adhesive gaskets
Die-cut silicone sponge
Mechanically compressed
Fully sealed wet location rated (CSA)

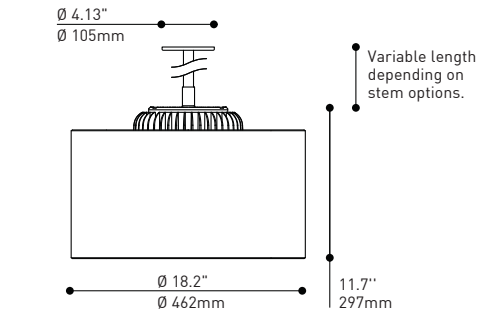


CHARACTERISTICS 4766 / 4266 / 4266b

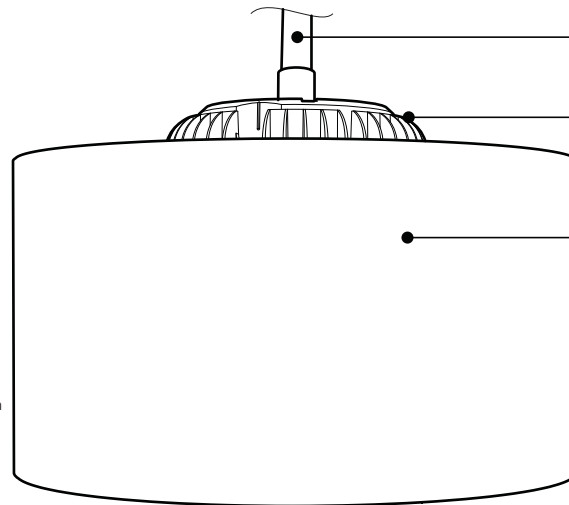
LIGHT SOURCE	1 x COB - total ±26 w	1 x COB - total ±13 w
MODULE	UL Recognized	
DELIVERED LUMENS	2400 lm (4000K)	1250 lm (4000K)
CRI	80 CRI (typical)	
ROHS	Yes	
HOUSING	Die-cast aluminum, black anodised (2,5mm thickness)	
HEAT SINK	Die-cast aluminum, black anodised (variable thickness)	
LIGHT DISTRIBUTION	Direct	
OPTICS	Rotomolded MDPE shade (minimum 3,2mm thickness)	
GASKETS	Die-cut self-adhesive silicone gasket (minimum 3,2mm thickness)	
VOLTAGE	120V (Phase dimming) or 120-277V (0-10V dimming)	
DRIVER (DIMMING)	Phase dimming (DP) or 0-10V dimming (DV)	
LM-79	Available	On request
WARRANTY	5 years	



4266
SUSPENSION CABLE



4266B
SUSPENSION STEM



OUTDOOR LOUNGY TERRACE NOT INCLUDED
Weatherproof / UV resistant Sunbrella® shade around a water tight light engine.

MOUNTING OPTIONS

Rigid stem / aircraft cable, or surface.

KEEPING THINGS COOL

Precisely calculated, air exposed heat sink, sturdy die cast aluminum, black anodised finish.

WEATHERPROOF OUTER SHADE

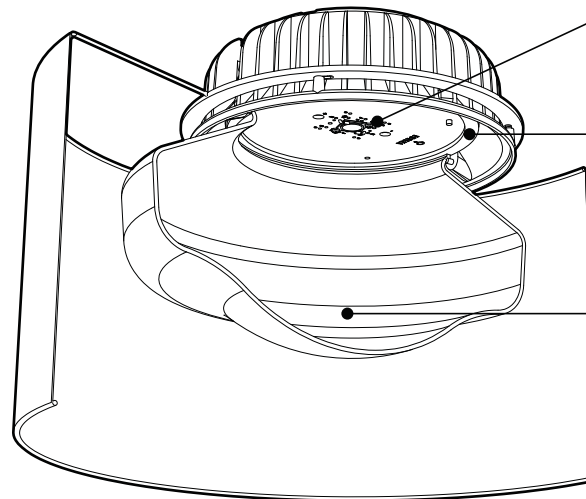
Marine "Sunbrella" polyester fabric
UV resistant
Easy to clean
Powder coated stainless steel frame

DESIGNED FOR DISASSEMBLY

Easy installation and maintenance
Recyclable materials
Mechanically fastened parts

HIGH OUTPUT FOR GENERAL ILLUMINATION

Center mounted COB LED technology
As much as 2400 lumens for only 26 W



WEATHERPROOF

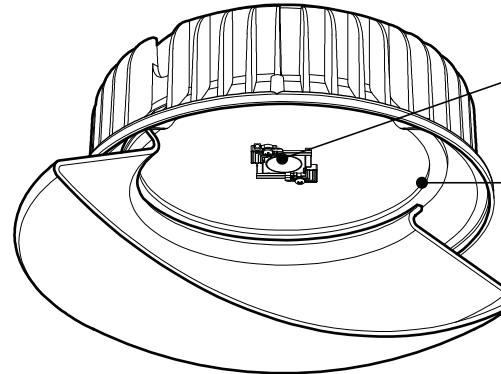
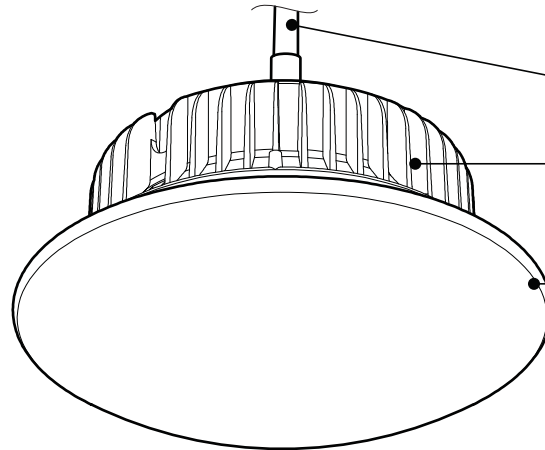
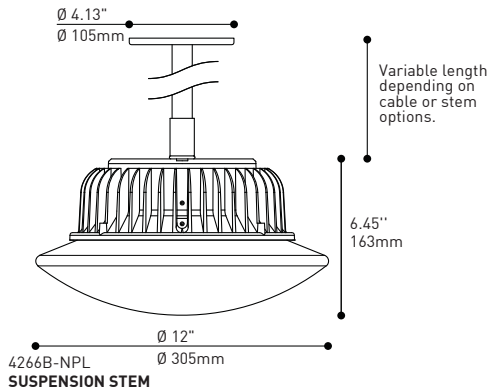
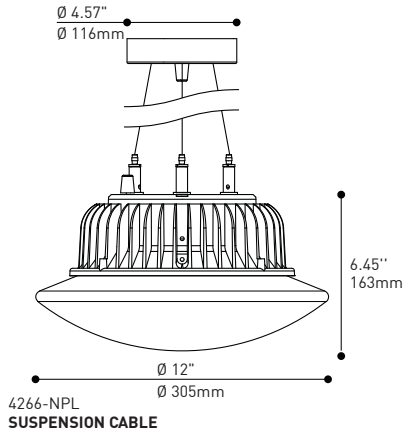
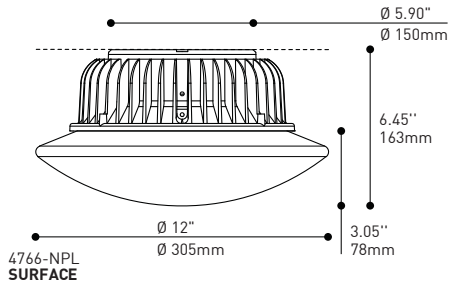
Self-adhesive gaskets
Die-cut silicone sponge
Mechanically compressed
Fully sealed
Wet location rated (CSA to UL standards)

ROTMOLDED INNER SHADE

Perfectly diffusing MDPE shade
Vandal and impact resistant
Recyclable plastic

CHARACTERISTICS 4266 / 4266b

LIGHT SOURCE	1 x COB - total ±26 w	1 x COB - total ±13 w
MODULE	UL Recognized	
DELIVERED LUMENS	2400 lm (4000K)	1250 lm (4000K)
CRI	80 CRI (typical)	
ROHS	Yes	
HOUSING	Die-cast aluminum, black anodised (2,5mm thickness)	
HEAT SINK	Die-cast aluminum, black anodised (variable thickness)	
LIGHT DISTRIBUTION	Direct	
OPTICS	Rotomolded MDPE shade (minimum 3,2mm thickness), Sunbrella® on powder coated stainless steel frame	
GASKETS	Die-cut self-adhesive silicone gasket (minimum 3,2mm thickness)	
VOLTAGE	120V (Phase dimming) or 120-277V (0-10V dimming)	
DRIVER (DIMMING)	Phase dimming (DP) or 0-10V dimming (DV)	
LM-79	Available	On request
WARRANTY	5 years	



INDUSTRIAL SLEEK
Works in a wide range of environments (bars, hotels, lofts, indoor, outdoor,...)

MOUNTING OPTIONS
Rigid stem / aircraft cable, or surface.

KEEPING THINGS COOL
Precisely calculated, air exposed heat sink, sturdy die cast aluminum, black anodised finish.

ROTMOLDED SHADE
Perfectly diffusing MDPE shade
Vandal and impact resistant
Recyclable plastic

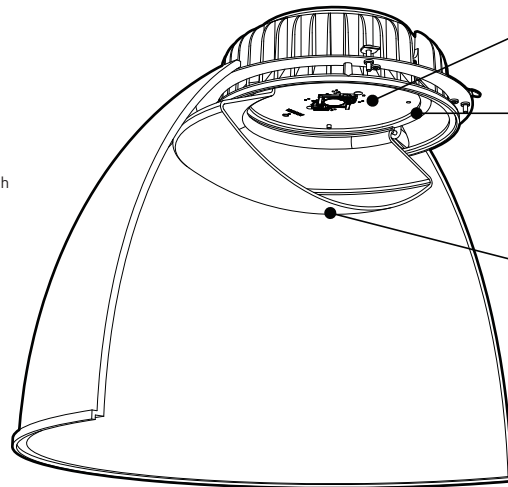
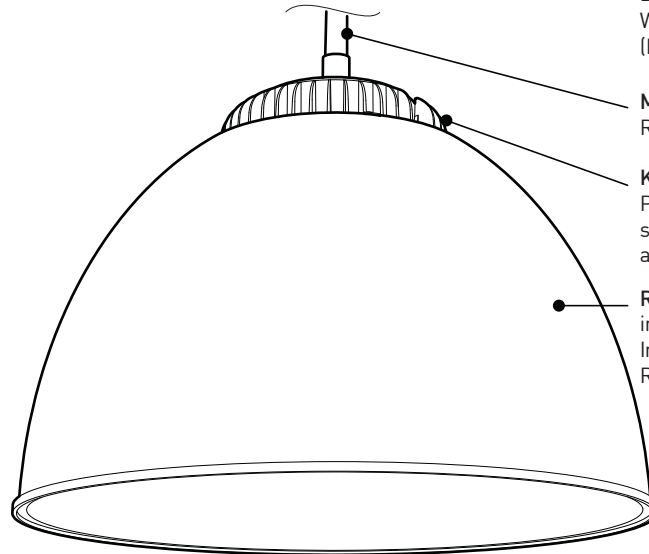
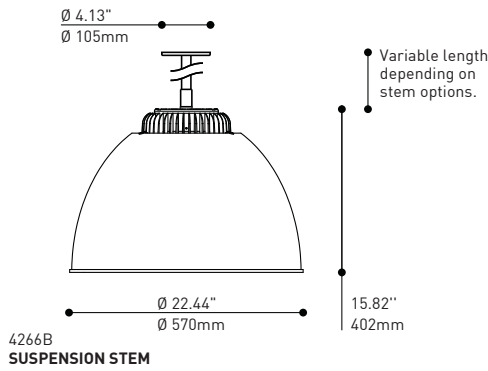
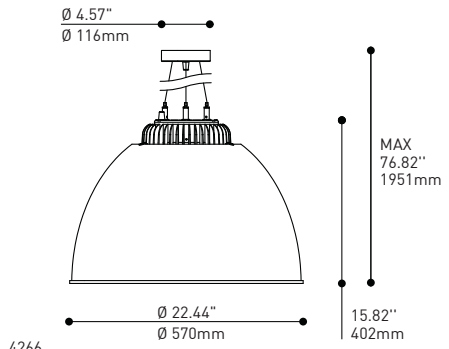
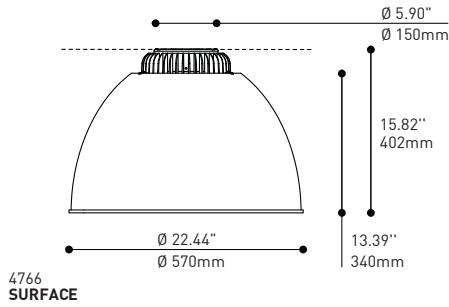
HIGH OUTPUT FOR GENERAL ILLUMINATION
Center mounted COB LED technology
As much as 2400 lumens for only 26 W

WEATHERPROOF
Self-adhesive gaskets
Die-cut silicone sponge
Mechanically compressed
Fully sealed, UL wet location rated (CSA)

DESIGNED FOR DISASSEMBLY
Easy installation and maintenance
Recyclable materials
Mechanically fastened parts

CHARACTERISTICS 4766-NPL / 4266-NPL / 4266B-NPL

LIGHT SOURCE	1 x COB - total ±26 w	1 x COB - total ±13 w
MODULE	UL Recognized	
DELIVERED LUMENS	2400 lm (4000K)	1250 lm (4000K)
CRI	80 CRI (typical)	
ROHS	Yes	
HOUSING	Die-cast aluminum, black anodised (2,5mm thickness)	
HEAT SINK	Die-cast aluminum, black anodised (variable thickness)	
LIGHT DISTRIBUTION	Direct	
OPTICS	Rotomolded MDPE shade (minimum 3,2mm thickness)	
GASKETS	Die-cut self-adhesive silicone gasket (minimum 3,2mm thickness)	
VOLTAGE	120V (Phase dimming) or 120-277V (0-10V dimming)	
DRIVER (DIMMING)	Phase dimming (DP) or 0-10V dimming (DV)	
LM-79	Available	On request
WARRANTY	5 years	



BOLD YET SOPHISTICATED
Works in a wide range of environments (kitchens, retail stores, indoor, outdoor,...)

MOUNTING OPTIONS
Rigid stem / aircraft cable, or surface.

KEEPING THINGS COOL
Precisely calculated, air exposed heat sink, sturdy die cast aluminum, black anodised finish.

REFLEXOR OUTER SHADE
injection molded prismatic PMMA shade
Impact resistant
Recyclable plastic

HIGH OUTPUT FOR GENERAL ILLUMINATION
Center mounted COB LED technology
As much as 2400 lumens for only 26 W

WEATHERPROOF
Self-adhesive gaskets
Die-cut silicone sponge
Mechanically compressed
Fully sealed
Wet location rated (CSA to UL standards)

ROTMOLDED INNER SHADE
Perfectly diffusing MDPE shade
Vandal and impact resistant
Recyclable plastic

DESIGNED FOR DISASSEMBLY
Easy installation and maintenance
Recyclable materials
Mechanically fastened parts

CHARACTERISTICS 4766 / 4266 / 4266b

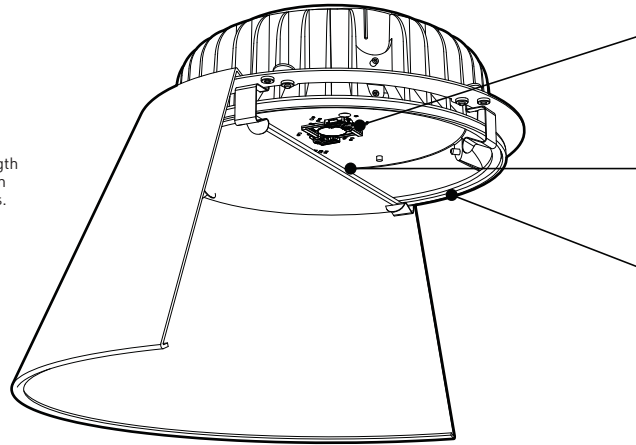
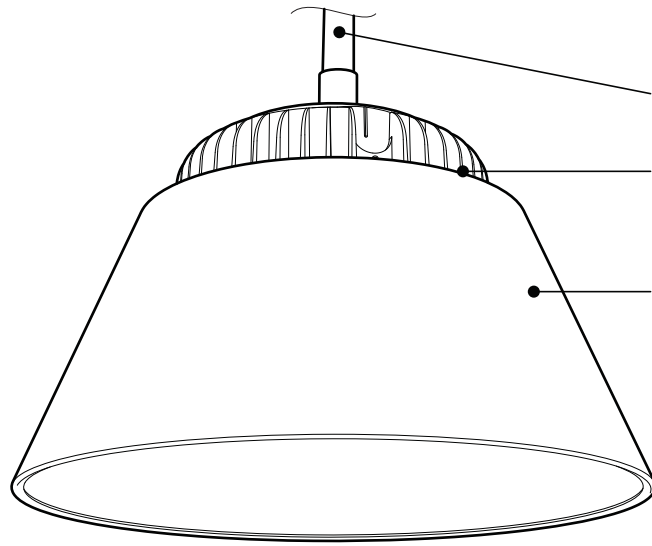
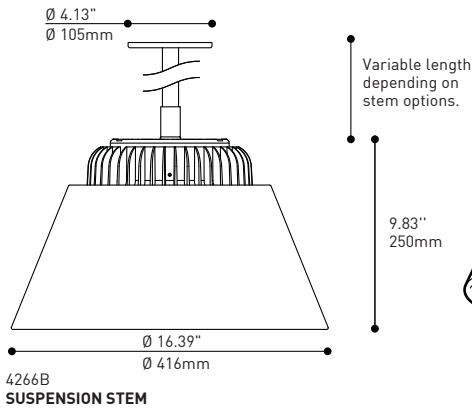
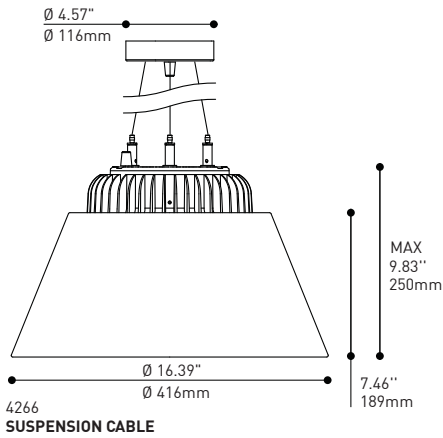
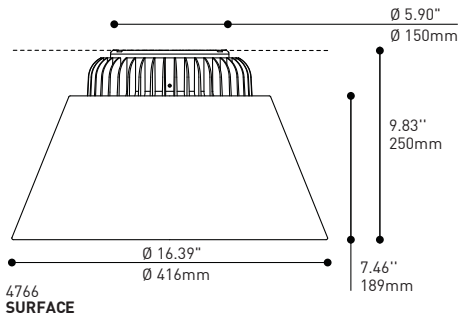
LIGHT SOURCE	1 x COB - total ±26 w	1 x COB - total ±13 w
MODULE	UL Recognized	
DELIVERED LUMENS	2400 lm (4000K)	1250 lm (4000K)
CRI	80 CRI (typical)	
ROHS	Yes	
HOUSING	Die-cast aluminum, black anodised (2,5mm thickness)	
HEAT SINK	Die-cast aluminum, black anodised (variable thickness)	
LIGHT DISTRIBUTION	Direct	
OPTICS	Rotomolded MDPE shade (minimum 3,2mm thickness), injection-molded clear PMMA parabolic reflexor shade.	
GASKETS	Die-cut self-adhesive silicone gasket (minimum 3,2mm thickness)	
VOLTAGE	120V (Phase dimming) or 120-277V (0-10V dimming)	
DRIVER (DIMMING)	Phase dimming (DP) or 0-10V dimming (DV)	
LM-79	Available	On request
WARRANTY	5 years	



225 de Liège Ouest, Suite #200
Montréal (QC), Canada H2P 1H4
Tel : 514.385.3515 Fax : 514.385.4169
www.eurekalighting.com



4766-SNW
4266-SNW / 4266B-SNW



INDUSTRIAL CHIC
Works in a wide range of environments (bars, hotels, lofts, indoor, outdoor,...)

MOUNTING OPTIONS
Rigid stem / aircraft cable, or surface.

KEEPING THINGS COOL
Precisely calculated, air exposed heat sink, sturdy die cast aluminum, black anodised finish.

SPUN ALUMINUM SHADE
For glare control
Durable weatherproof powder coat finish

DESIGNED FOR DISASSEMBLY
Easy installation and maintenance
Recyclable materials
Mechanically fastened parts

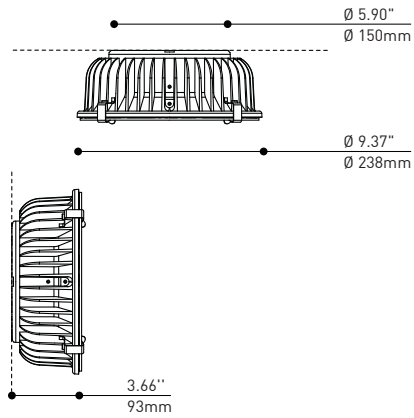
HIGH OUTPUT FOR GENERAL ILLUMINATION
Center mounted COB LED technology

FLAT OPTICS
Compound lens structured around layers of diffusing and deglaring CDP PMMA.

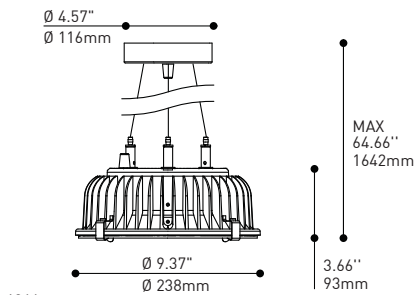
WEATHERPROOF
Self-adhesive gaskets
Die-cut silicone sponge
Mechanically compressed
Fully sealed
Wet location rated (CSA to UL standards)

CHARACTERISTICS 4766 / 4266 / 4266b

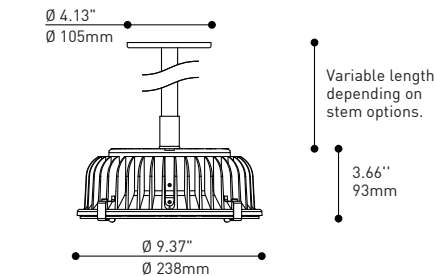
LIGHT SOURCE	1 x COB - total ±26 w	1 x COB - total ±13 w
MODULE	UL Recognized	
DELIVERED LUMENS	1166 lm (4000K)	734 lm (4000K)
CRI	80 CRI (typical)	
ROHS	Yes	
HOUSING	Die-cast aluminum, black anodised (2,5mm thickness)	
HEAT SINK	Die-cast aluminum, black anodised (variable thickness)	
LIGHT DISTRIBUTION	Direct	
OPTICS	Diffusing flat PMMA lens, Deglaring CDP PMMA lens (minimum 3 mm thickness for each layer)	
GASKETS	Die-cut self-adhesive silicone gasket (minimum 3,2mm thickness)	
VOLTAGE	120V (Phase dimming) or 120-277V (0-10V dimming)	
DRIVER (DIMMING)	Phase dimming (DP) or 0-10V dimming (DV)	
LM-79	Available	On request
WARRANTY	5 years	



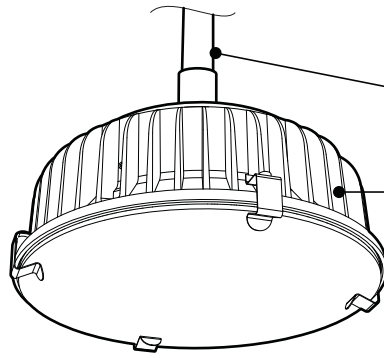
4766
SURFACE



4266
SUSPENSION CABLE



4266B
SUSPENSION STEM



INDUSTRIAL CHIC

Works in a wide range of environments (bars, hotels, lofts, indoor, outdoor,...)

MOUNTING OPTIONS

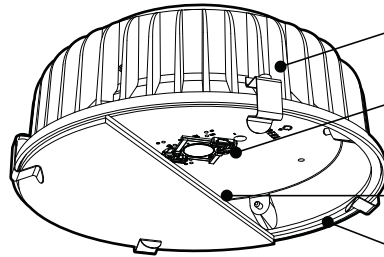
Rigid stem / aircraft cable, or surface.

KEEPING THINGS COOL

Precisely calculated, air exposed heat sink, sturdy die cast aluminum, black anodised finish.

DESIGNED FOR DISASSEMBLY

Easy installation and maintenance
Recyclable materials
Mechanically fastened parts



STAINLESS STEEL SPRING CLIPS

Easy access inside light chamber, if need be

HIGH OUTPUT FOR GENERAL ILLUMINATION

Center mounted COB LED technology

FLAT OPTICS

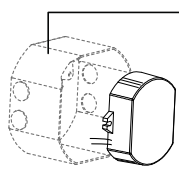
Compound lens structured around layers of diffusing and deglaring CDP PMMA.

WEATHERPROOF

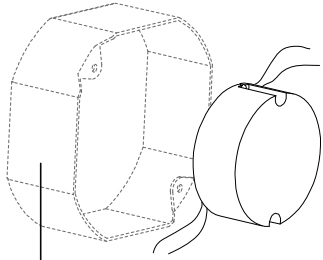
Self-adhesive gaskets
Die-cut silicone sponge
Mechanically compressed
Fully sealed
Wet location rated (CSA to UL standards)

CHARACTERISTICS 4766 / 4266 / 4266b

LIGHT SOURCE	1 x COB - total ±26 w	1 x COB - total ±13 w
MODULE	UL Recognized	
DELIVERED LUMENS	1710 lm (4000K)	1077 lm (4000K)
CRI	80 CRI (typical)	
ROHS	Yes	
HOUSING	Die-cast aluminum, black anodised (2,5mm thickness)	
HEAT SINK	Die-cast aluminum, black anodised (variable thickness)	
LIGHT DISTRIBUTION	Direct	
OPTICS	Diffusing flat PMMA lens, Deglaring CDP PMMA lens (minimum 3 mm thickness for each layer)	
GASKETS	Die-cut self-adhesive silicone gasket (minimum 3,2mm thickness)	
VOLTAGE	120V (Phase dimming) or 120-277V (0-10V dimming)	
DRIVER (DIMMING)	Phase dimming (DP) or 0-10V dimming (DV)	
LM-79	Available	On request
WARRANTY	5 years	

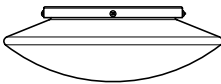


DIMMING VERSION
A deep octagonal box* (2^{1/8}po) is required for dimming version (not supplied).

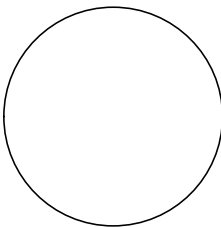


ELECTRICAL BOX
Designed for conventional octagonal connection boxes (not supplied).

4.00"
102 mm



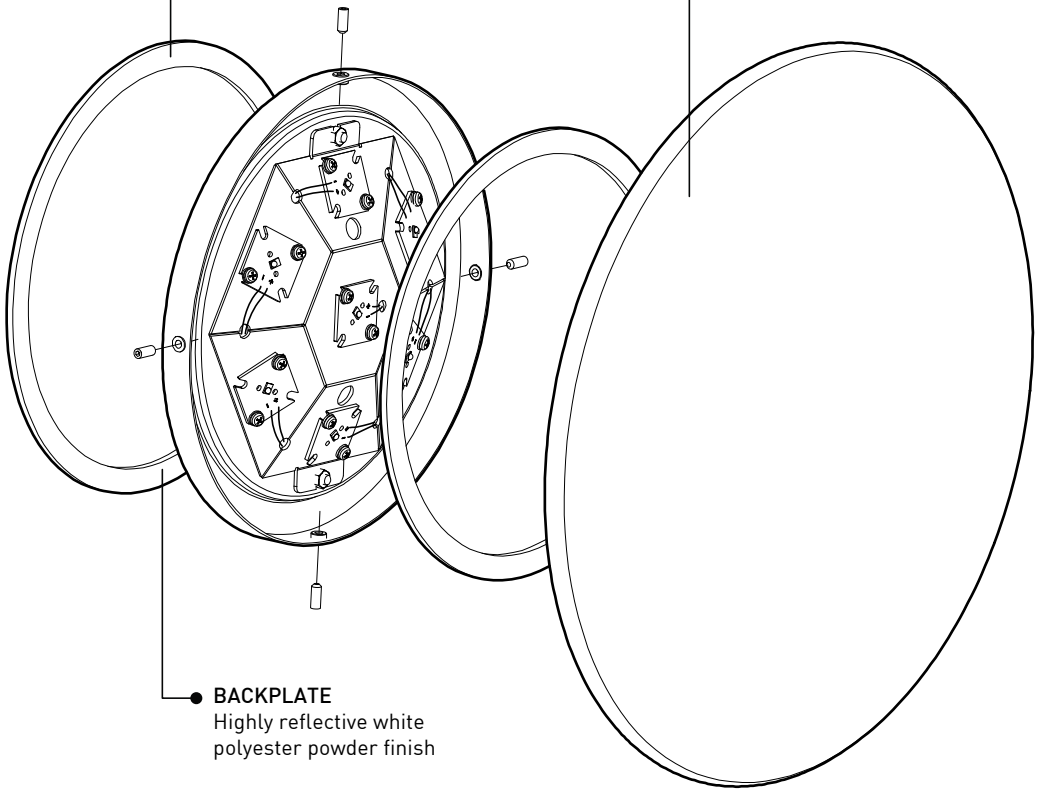
Ø 12"
Ø 305mm



J-BOX
6.00"
152 mm

WEATHERPROOF
-Self-adhesive gaskets
-Die-cut silicone sponge
-Mechanically compressed
-Fully sealed, wet location rated (CSA)

ROTOMOLDED SHADE
-One part translucent white rotomolded MDPE, recyclable plastic
-Extremely durable and resists temperature variation, UV stable
-Vandal and impact resistant



BACKPLATE
Highly reflective white polyester powder finish

SPECIFICATIONS

7W LED

14W LED

LIGHT SOURCE	7x1W High Power LED - System Wattage 9W Total	7x2W High Power LED - System Wattage 18W Total
MODULE	UL Recognized	
DELIVERED LUMENS	560 lm (4000K)	990 lm (4000K)
CRI	80 CRI (typical)	
CCT	3-step MacAdam Ellipse binning	
VOLTAGE	120V	120V (DP) and 120-277V (DV)
DRIVER	Constant Current driver 350mA, UL Recognized	Constant Current driver 700mA, UL Recognized
DIMMING	N / A	Phase Dimming (DP) and 0-10V Dimming (DV)
LM-79	On request	Available
GASKET	Die-cut self-adhesive silicone gasket (minimum 3,2mm thickness)	
STRUCTURE	Steel with white reflective paint	
HEAT MANAGEMENT	Heatsink fully integrated with light engine	
WARRANTY	5 years	

*RECOMMENDED IBERVILLE MODELS : BC 54171-K, BC 54171-L, BC 54171-LA

See you outside.

